

AGENCY _____ **CODE** _____ **POLICY NUMBER** _____

INSURED _____

LOCATION INSPECTED _____

GENERAL

1. Manufacturer _____ Homebuilt
Model Name and Number _____
2. Listed by a recognized testing laboratory? Yes No
If yes, name of listing laboratory? _____
Min. clearances as listed on label _____
3. Age: _____ Condition _____
4. Construction:
Cast iron or plate steel sheet metal
5. Installed by: Contractor Owner
6. Is wood stove(s) only source of heat? Yes No

CHIMNEY

1. Masonry Factory Built "all fuel" Other
If masonry, does it have a fire liner? Yes No
2. Total heating units connected to same chimney? _____
If more than one, does each have separate flue? Yes No
3. General Condition _____
4. How often is chimney cleaned? _____
Cleaned by: Contractor Owner
5. Has there ever been a chimney fire? Yes No
If yes has chimney been inspected by a professional since the fire?
Yes No

INSTALLATION

1. Type of Unit:
Space heating stove: Radiant Circulating
Central solid fuel furnace
Add on unit attached to gas or oil furnace
Kit built barrel stove
Other _____
2. Unit Clearances: (Complete information on rear)
3. The walls in the area of the unit are?
Plaster, drywall, wood paneling Z brick over studs
Brick or stone veneer over wood studs
Solid concrete, block, brick or stone
4. Describe protective coverings on walls and ceilings
None _____
5. Is protective covering spaced 1" from wall? Yes No
6. The floor beneath the unit is:
Combustible Non Combustible
If combustible describe protective floor covering

How far does protective covering extend beyond:
Loading Side _____" Sides _____" Rear _____"

CHIMNEY CONNECTOR/SMOKEPIPE

1. Type of Connector?
No connector — factory built chimney attaches directly to
Unit Single wall stovepipe
Double Wall Stovepipe Other _____
2. Diameter _____" Length _____ Number of Elbows _____
3. Describe method and clearances used to connect chimney connector/
smokepipe to chimney.
 Smokepipe attaches directly to masonry chimney without passing
through wall
 Factory built chimney extends to interior/smokepipe does not pass
through wall/ceiling
Smokepipe connects through combustible wall/ceiling into chimney; pro-
tection and clearances are:
 Short insulated factory wall sleeve/chimney section _____"
clearance
 Solid masonry surrounding fire clay thimble _____" clearance
 Metal ventilated thimble _____" clearance
 Wall cut back from pipe _____" clearance
 Wall cut back, opening is covered by _____
Area inside of covering is open or filled with _____
Other _____

PROTECTION

1. Is someone on the premises whenever the unit is operating?
Yes No
2. Does the residence have a fire extinguisher?
Yes No Smoke Alarm? Yes No

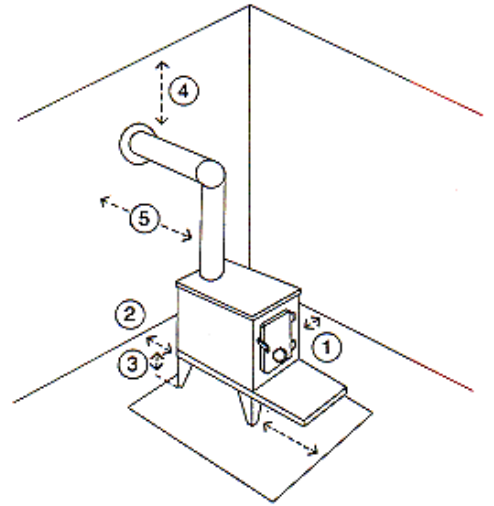
4. Does smokepipe pass through any other walls?
Yes No

INSTALLATION CLEARANCES

COMPLETE THIS SECTION FOR STOVES, COOKSTOVES, UNITS LISTED AS OTHER

Answer the following questions or fill in number of inches in diagram

1. Side of unit to nearest wall _____ inches
2. Rear of unit to wall _____ inches
3. Bottom of unit to floor _____ inches
4. Top of smokepipe to ceiling _____ inches
5. Smokepipe to nearest wall _____ inches

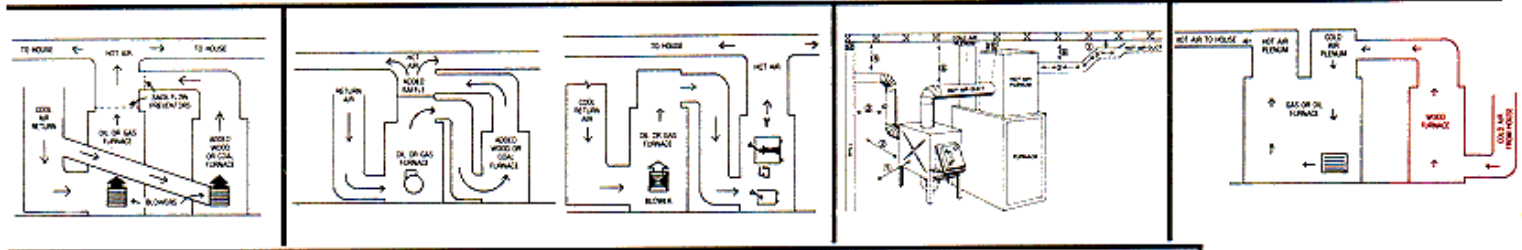
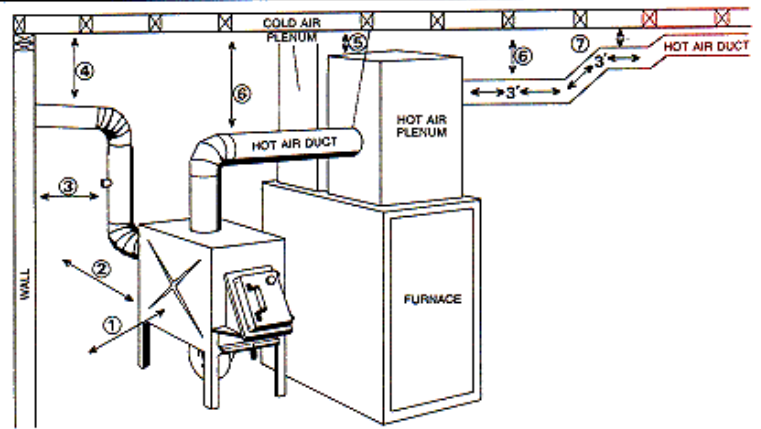


COMPLETE FOR UNITS IN MOBILE HOMES ONLY

1. Is the unit listed for mobile home installation?
Yes No
2. Does it have: Spark Arrestor Cap? Yes No
Glass or Metal Doors? Yes No
Outside Air Intake? Yes No

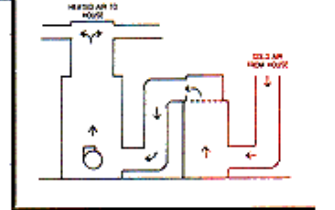
COMPLETE THIS SECTION FOR ADD ON AND CENTRAL UNITS

1. Side of unit to nearest wall _____ inches
2. Rear of unit to nearest wall _____ inches
3. Smokepipe to wall _____ inches
4. Smokepipe to ceiling _____ inches
5. Top of hot air plenum to ceiling _____ inches
6. Top of hot air duct within 3' to ceiling _____ inches
7. Top of hot air duct 3' to 6' to ceiling _____ inches



COMPLETE FOR ADD ON UNITS ONLY

1. Is cool return air from the house:
Ducted to the central and add on unit separately (Example A)
Ducted through the central unit then through the add-on unit (Example B)
Not ducted to the add on unit — taken directly from the basement (Example C)
Ducted to the add on unit — then through the central unit (Example D)
2. If air is taken from basement, are units in a small enclosed room Yes No
If yes are there vents to the outside or remainder of the basement equal to 1 square inch of vent per each 1000 of total BTUs of appliances in room Yes No



ACCESSORIES AND REMARKS

1. Is there a heat saver? Yes No
If yes, is the cleaning rod used daily? Yes No
Is the heat saver taken apart and cleaned annually? Yes No
2. Other _____